

DALE
POWER SOLUTIONS

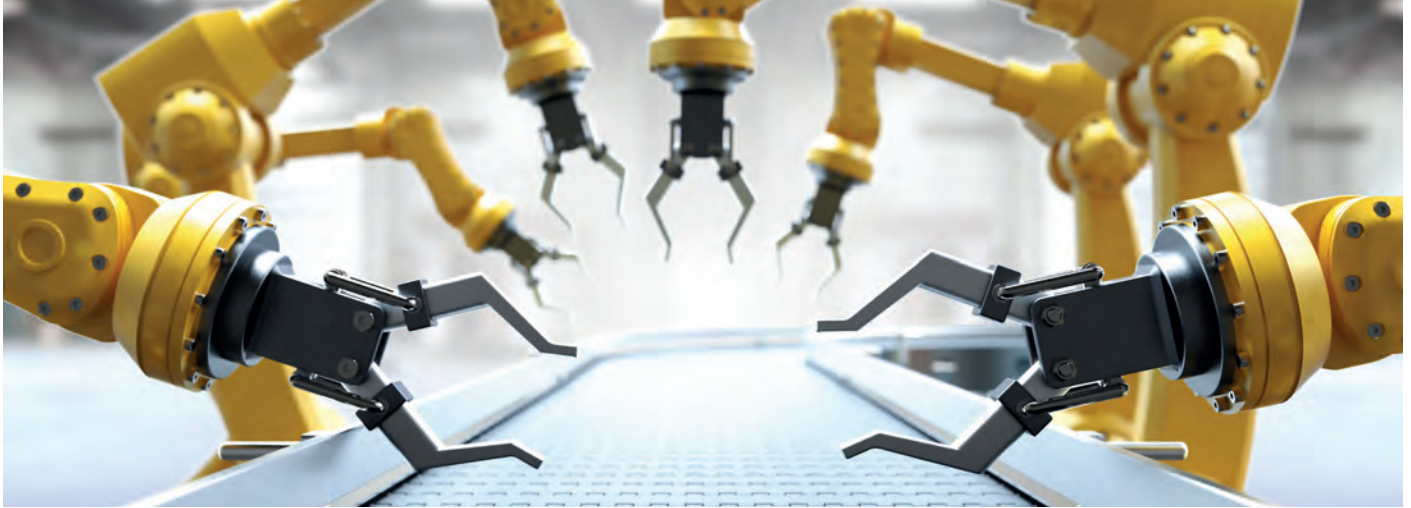
Ablerex
OFFICIAL PARTNER

Taurus
10-80 kVA

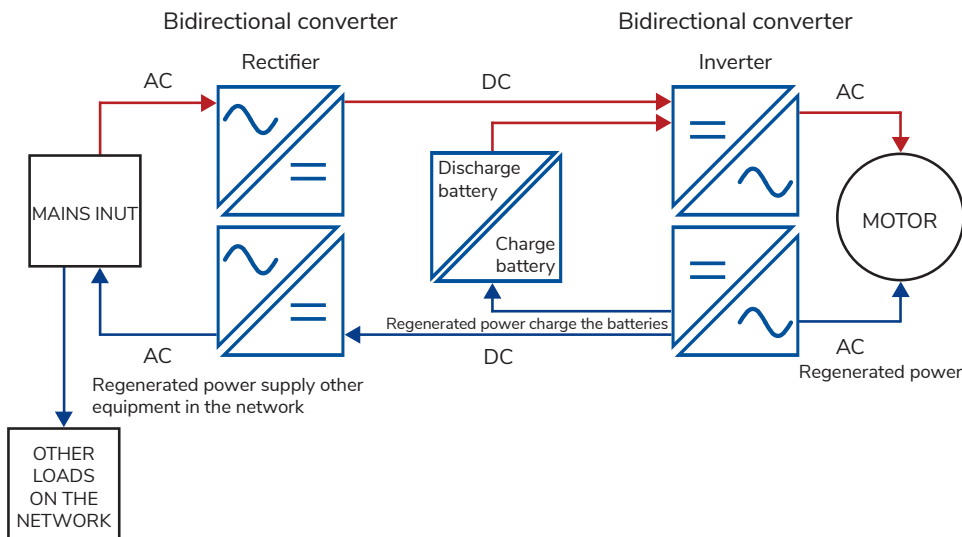


Continuous power supply in the presence of regenerative loads

Traditional UPS systems often fail when faced with energy returning from the load. The Taurus UPS, however, ensures a continuous power supply to the protected load even in the presence of regenerative energy.



The problem: many industrial machines, including elevators, are powered by electric motors that frequently start and stop. During deceleration, these motors produce regenerative energy. If unmanaged, this regenerative load can cause over-voltage, damaging critical equipment and reducing the efficiency of industrial operations. Specifically, regenerative energy causes the dc bus to over-voltage in conventional UPS systems, leading them to cease operation.



- Complete solution for regenerative energy management (glm)**
 Patented solution, easily activated via software, this solution provides comprehensive management of regenerative energy.
- Robust hardware**
 The bidirectional design of the Taurus UPS converters ensures hardware durability.

- Eco-friendly**
 Reuse up to 90% of the energy produced by regenerative loads.
- No oversizing needed**
 No need to oversize UPS power or battery capacity. The battery voltage remains controlled, and the load stays protected.

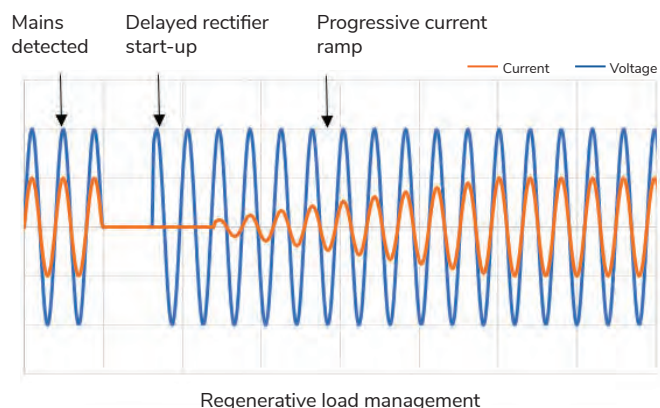
- The patented GLM function can reuse energy regenerated by the loads, ensuring maximum efficiency when managing regenerative loads.
- Optimised footprint for maximum installation versatility.
- Designed to minimise impact on generators and avoid the need for overdimensioning them.
- Power factor of 1 (kW = kVA): maximum active power available for your system at all times.
- Fail-safe: the UPS indicates when the phase sequence is connected incorrectly without interrupting the supply from the inverter to the loads, while keeping the batteries charged.
- Up to 6 units can be connected in parallel for power or redundancy.
- The “Energy Saver” function dramatically reduce the facility power and cooling costs..
- Dual input and internal manual bypass.
- High overload capacity for up to 3 seconds at 300% load.
- High-performance battery charger for fast, efficient battery charging.
- Variable battery configuration can be set from the LCD.
- Compatible with lithium-ion batteries or other technologies.
- Smart battery discharge test without the need for external loads.
- Real-time battery disconnection alarm.
- Cold start (up to 20 kVA standard, up to 80 kVA optional).
- Separate or common batteries that can be configured for parallel systems.
- Wide range of communication options included: two ports as standard (RS232 and USB), programmable dry contacts plus two additional slots for optional cards.
- 4.3” colour LCD touch screen display for user-friendly interface (14 selectable languages).
- UPS information, settings and log files can be downloaded to a removable SD card.

Key options

- SNMP, RS485, ModBus card.
- Parallel kit.
- Removable internal battery compartments for easy battery maintenance.
- External temperature sensor for a battery cabinet.
- Movable touch panel 7” with 3 programmable dry contacts for remotely monitoring up to 64 units.
- Internal backfeed contactor.



Ideal for generators



TAURUS

TAURUS 10-80 kVA

State-of-the-art technology for a high performance three-phase UPS

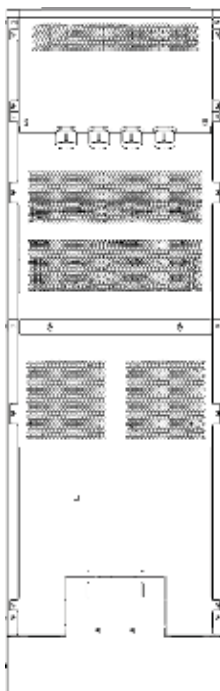
Its power factor of 1 (kW = kVA) and easy maintenance reduce system TCO, making Taurus the best choice for data centres.



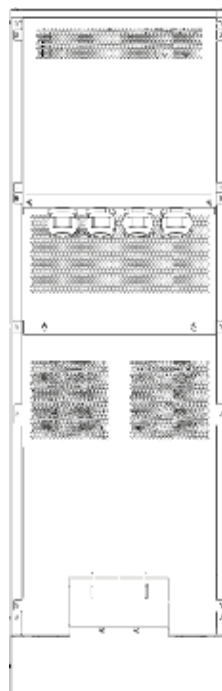
Applications

- Data centres
- Electromedical equipment
- Industrial applications
- Regenerative loads (lifts, cranes, numerically controlled machines, etc.)

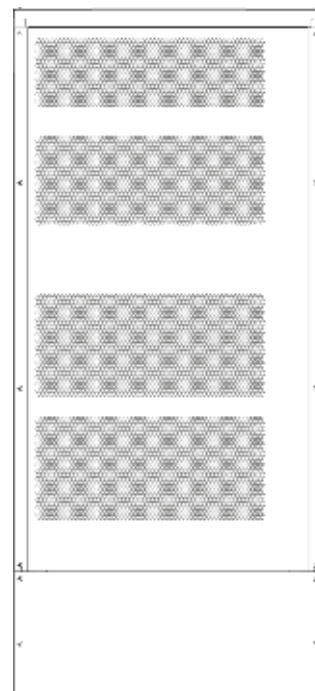
TAURUS
10/20 kVA



TAURUS
30/40 kVA



TAURUS
60/80 kVA



TAURUS TECHNICAL DATA SHEET

MODEL		TAURUS 10kVA	TAURUS 20kVA	TAURUS 30kVA	TAURUS 40kVA	TAURUS 60kVA	TAURUS 80kVA	
POWER	KVA	10	20	30	40	60	80	
	KW	10	20	30	40	60	80	
INPUT	Rated voltage	380/400/415 Vac three-phase with neutral						
	Voltage tolerance	±20%						
	Rated frequency	40 – 70 Hz						
	Power factor	≥0.99						
	Current distortion (THDi)	<3%						
OUTPUT	Rated voltage	380/400/415 V three-phase with neutral						
	Voltage stability	±1% (static load)						
	Frequency	50/60 Hz						
	Frequency stability	±0.01% (free running)						
	Power factor	1						
	Crest factor	3:1						
	Voltage distortion	<1% with linear load, <3% with distorting load						
BATTERY	Permissible overload	110% for 60 minutes, 125% for 10 minutes, 150% for 1 minute, >150% and <300 for 3 seconds						
	Number per string (batt 12V)	26 – 40 conf.		32 – 40 configurable				
	Max charging current *	10 A	21 A	30 A	39 A	60 A	78 A	
	Common battery for parallel configuration	Supported						
	Internal battery (optional)	Up to 80 12 V 7/9 Ah battery blocks					N.A.	
EFFICIENCY	VFI mode	Up to 96%						
	ECO mode	Up to 98%						
BYPASS	Rated voltage	380/400/415 V three-phase + neutral						
	Voltage tolerance	±5% – ±25% (programmable alarm)						
	Frequency	50/60 Hz						
	Frequency tolerance	±1 Hz/±3 Hz (selectable)						
GENERAL	Dimensions (WxDxH) mm	440x860x1390				600x827x1300		
	Weight (kg)	84	86	130	132	200	210	
	Protection class	IP20						
	Cold start from the battery without mains power	Included			Optional			
	Parallel connection	Up to 6 units						
CONNECTIVITY	User interface	4.3 " colour LCD touch screen display with removable SD card						
	Built-in communication ports	USB, RS232, EPO, 1 in/3 out dry relay contacts (programmable) and additional slots for optional cards						
	Optional accessories	Cards: SNMP, RS485, ModBus, 6 in/6 out dry relay contacts (programmable), touch panel for remote monitoring of up to 64 units						
ENVIRONMENTAL PARAMETERS	Operating temperature**	0 – 40°C						
	Relative humidity	0 – 95% (without condensing)						
	Altitude (a.s.l.)	<1000 m with no power derating, >1000 m with 0.5% derating for every 100 m.						
	Audible noise at 1 m.	<52 dBA		<55 dBA		<60 dBA		
REGULATIONS	Standards	IEC EN 62040-1, IEC EN 62040-2, IEC EN 62040-3						
	Marking	CE, UKCA						

* Subject to conditions ** To be verified according to the battery parameters



**Versatile high-power
technology for critical applications**



Kronos Plus
10-40 kVA



Kronos Plus XL
10-40 kVA



Taurus
10-80 kVA



Titan
100-500 kVA



Titan GT
100-800 kVA

DALE
POWER SOLUTIONS

Ablerex
OFFICIAL PARTNER

Rev.2024/06 DPS - Our commitment to continuous innovation means that catalogue data may be subject to change without notice

Dale Power Solutions Ltd

Salter Road, Eastfield Industrial Estate
Scarborough, YO11 3DU
hello@dalepowersolutions.com · Tel. 0330 999 3000
www.dalepowersolutions.com

Ablerex Electronics Italy srl

Viale Milanofiori · Strada 6 · Palazzo N1
20089 Rozzano (MI)
info@ablerex.eu · Tel. +39 02 36696420
www.ablerex.eu